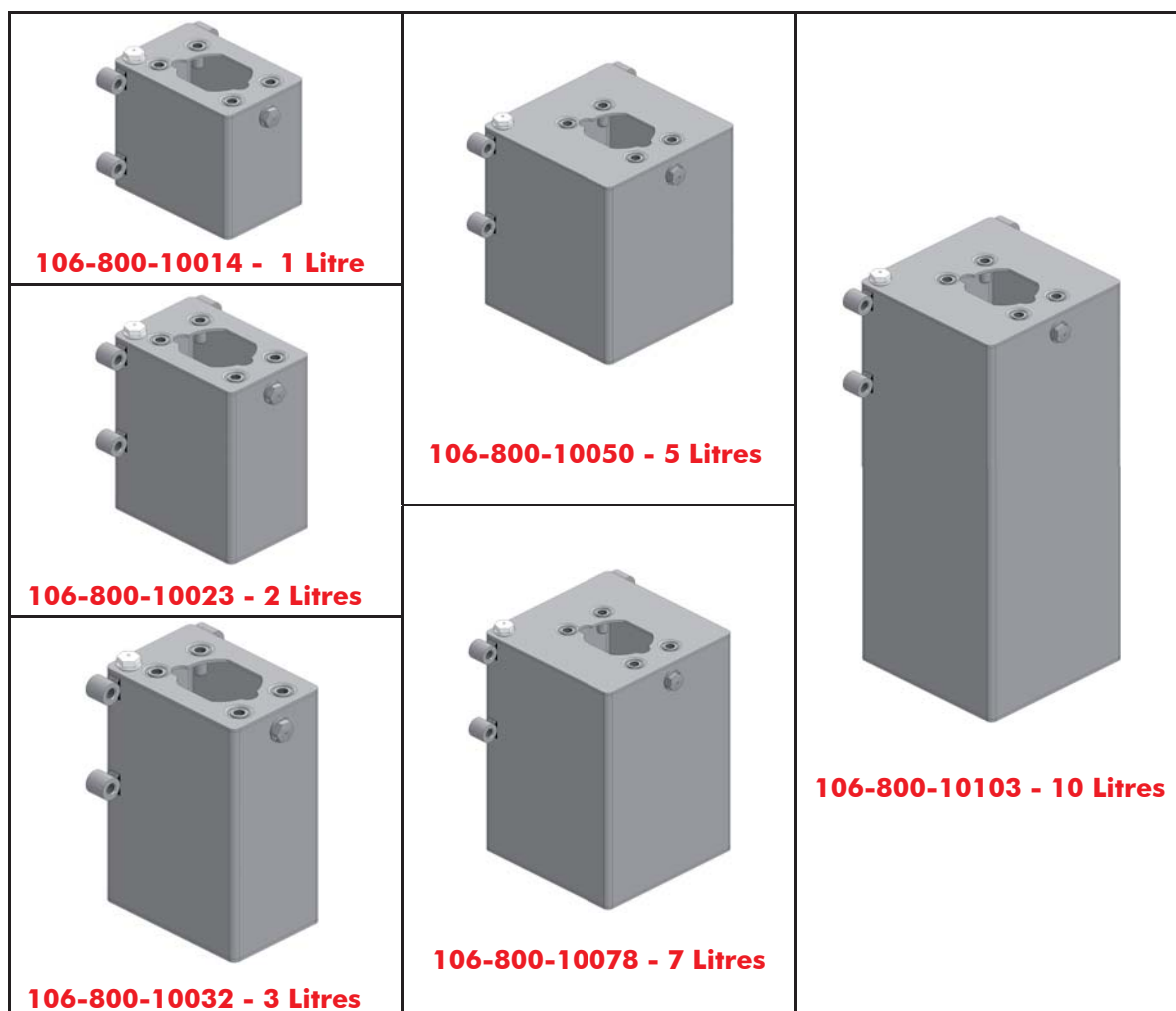


# NEW STEEL TANKS FOR HAND PUMPS

We are pleased to announce that a new series of oil tanks for hand pumps is now available. The following painted steel tanks are now available:



The above part numbers refer to the oil tank only.

Following mounting kits are also available, if needed:

- 10696001094 standard mounting kit for FULCRO hand pump to steel tanks: it is supplied loose and includes gasket and screws needed to mount the pump onto the tank.
- 10696001101 standard mounting kit for FULCRO hand pump to steel tanks and assembling: it includes the assembling operation of the hand pump (to be ordered separately) onto the steel tank along with gasket and screws needed for the mounting.

Surface finish by polyester black powder coating (RAL 9005)